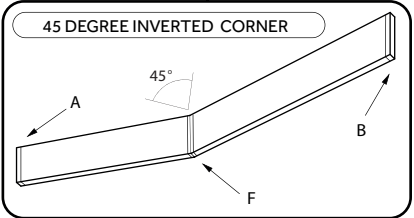
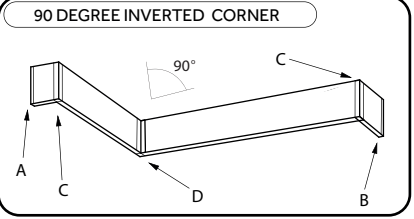
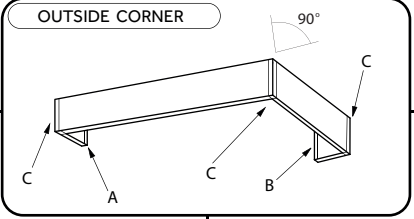
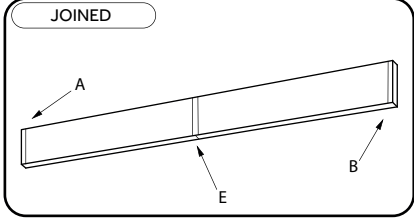
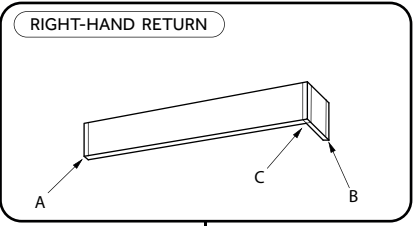
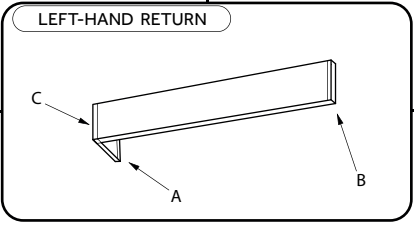
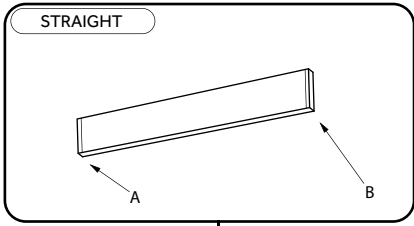


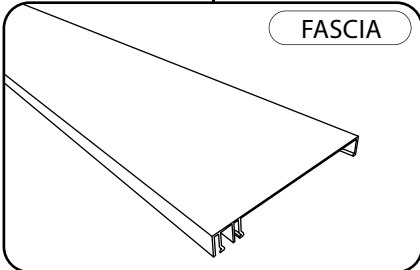
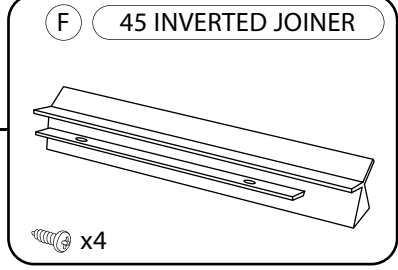
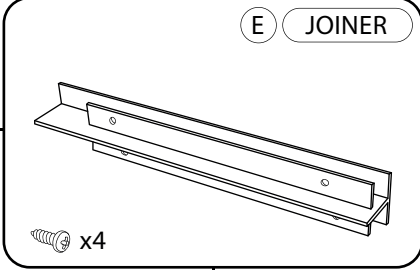
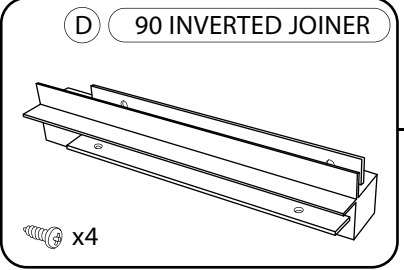
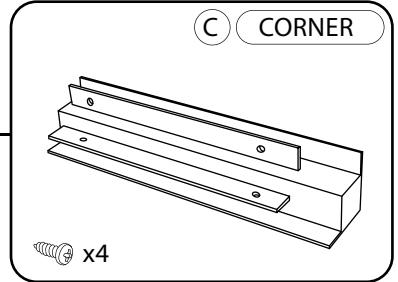
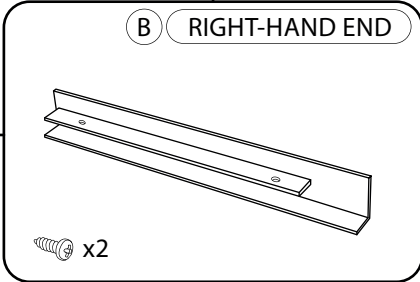
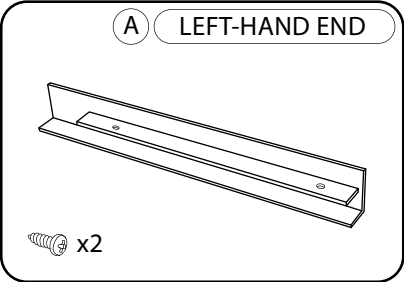


# CAPITAL FASCIA

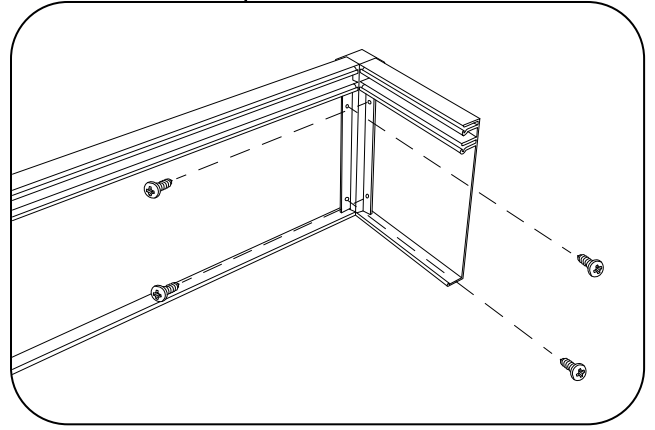
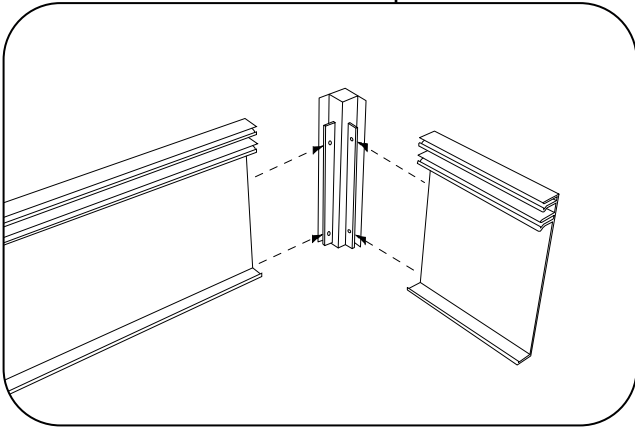
## FASCIA ASSEMBLY OPTIONS



## FASCIA COMPONENTS



## FASCIA ASSEMBLY

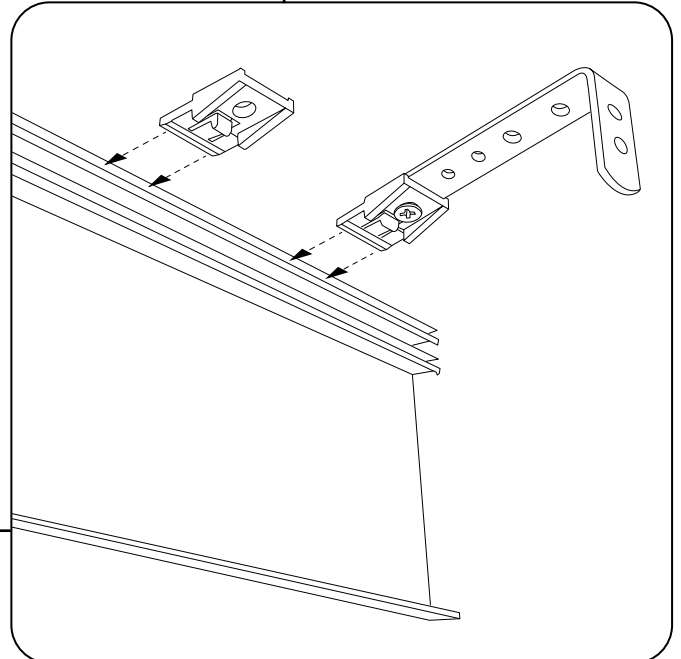
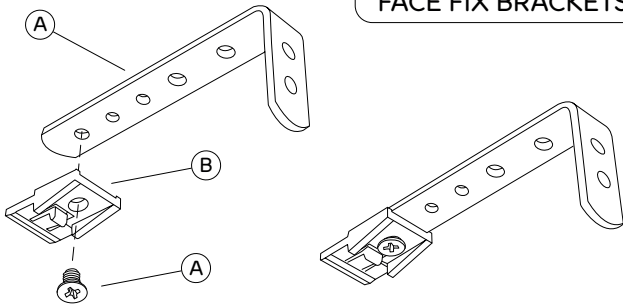


**DO NOT OVERTIGHTEN THE SCREWS AS IT WILL DENT THE FASCIA**



## FITTING THE FASCIA

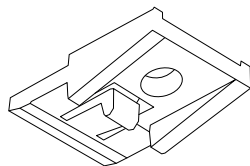
### FACE FIX BRACKETS



- (A) Threaded bracket:  
65mm • 181000  
95mm • 181010  
125mm • 181020

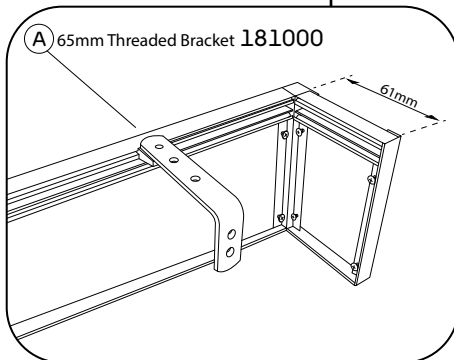
- (B) Top Fix Bracket  
- 897012

### TOP FIX BRACKET

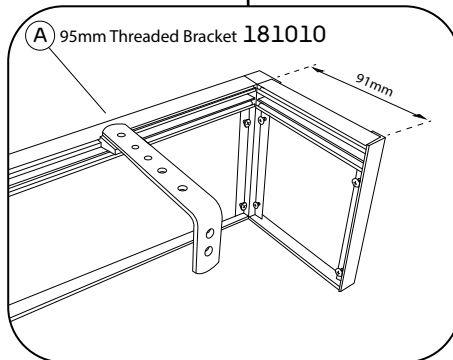


## RETURN PROJECTION

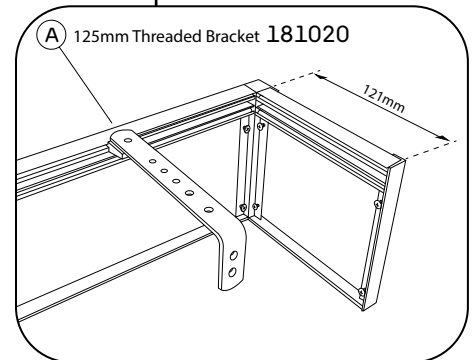
(A) 65mm Threaded Bracket 181000



(A) 95mm Threaded Bracket 181010



(A) 125mm Threaded Bracket 181020



Visit our YouTube channel  
and watch the How To video here.

<https://youtu.be/b1hWXwMBLol>