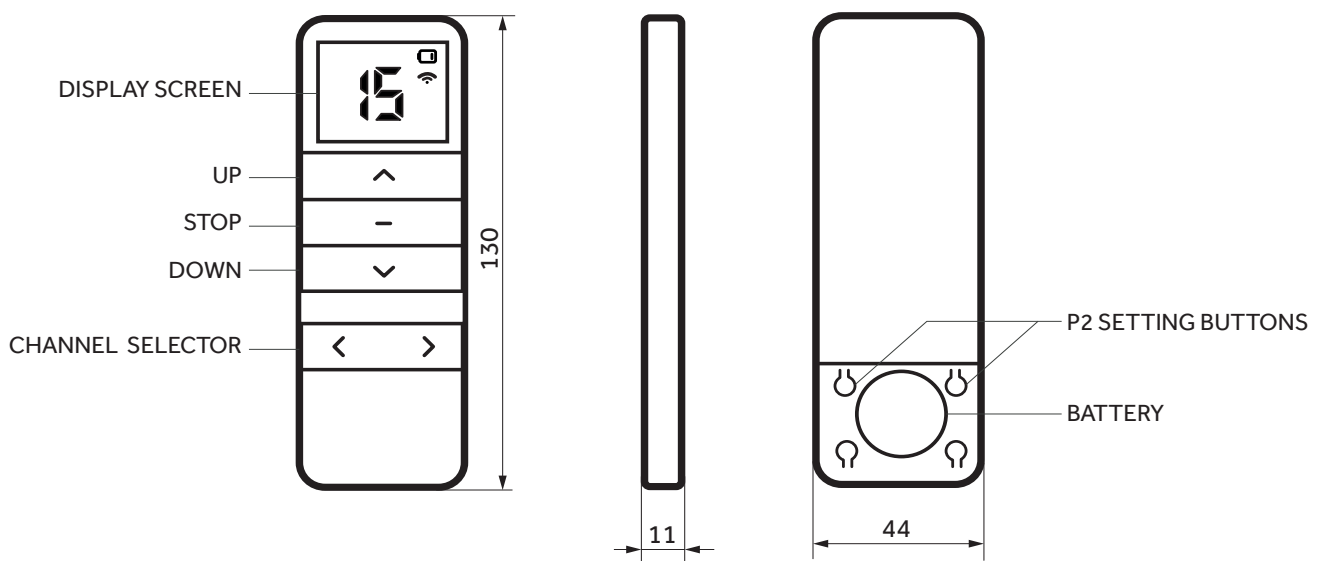


DREAM 15 CHANNEL REMOTE 191679



TECHNICAL SPECIFICATION

INPUT VOLTAGE	3V	OUTSIDE TRANSMISSION RANGE	200m
BATTERY	CR2450	INSIDE TRANSMISSION RANGE	35m
TRANSMITTING FREQUENCY	433.925MHz	OPERATING TEMPERATURE	-5C ~ 50C
TRANSMITTING POWER	10MW		

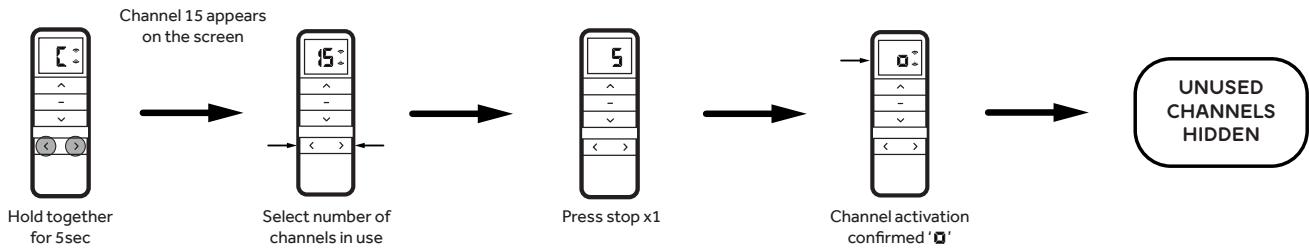
FUNCTIONAL FEATURES

- Bi-directional functionality
- Uni-directional functionality
- 15 channels
- Pair up to 20 motors per channel
- Button lock/unlock option
- Hide/Unhide channel option
- Standard CR2450 cell battery
- Magnetic wall bracket

HIDE / UNHIDE CHANNEL FUNCTION

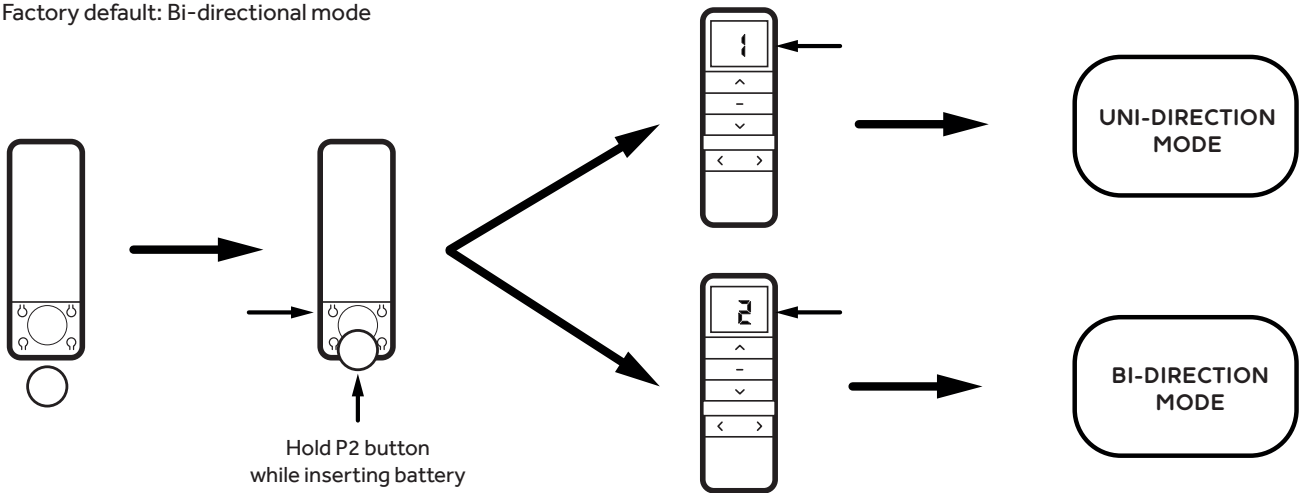
Allows the user to hide or unhide unused or used channels. By selecting a channel, i.e. channel 5, channels 1,2,3,4 and 5 will remain active while the other 10 unused channels will become hidden.

⚠ Factory default: 15 channels unhidden



UNI-DIRECTION / BI-DIRECTION SWITCHING MODE

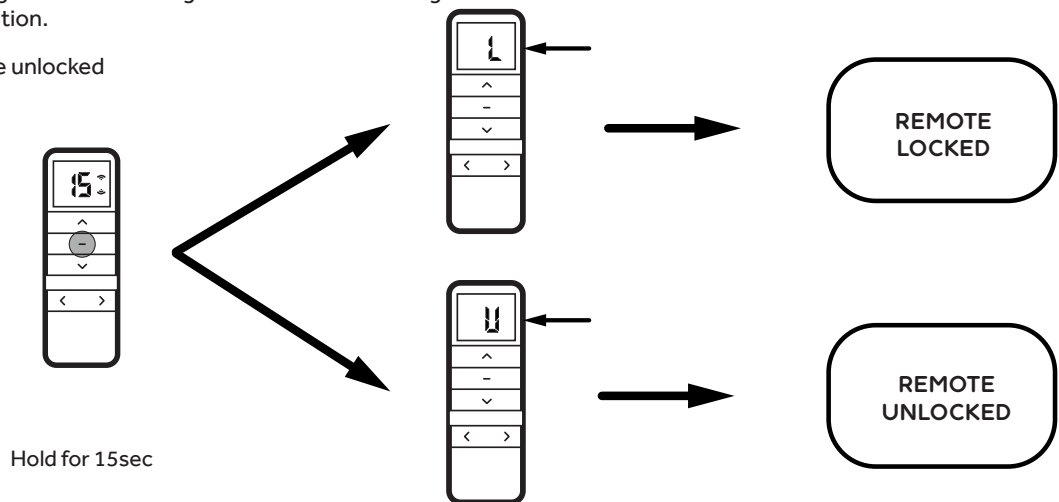
⚠ Factory default: Bi-directional mode



MOTOR SETTING LOCK / UNLOCK MODE

Enables or disables entering the motor setting mode without affecting normal remote blind operation.

⚠ Factory default: Remote unlocked



⚠ For programming and other remote settings refer to the relevant motor instructions ⚠



Damaged/unused electrical products and batteries are not be disposed with regular household waste. Dispose of this device in compliance with your authorities waste regulations. Alternatively, return your motors to Decorquip Ltd.



Decorquip Ltd

Rhymney House, Unit 8, Bedwas House Industrial Estate, Bedwas, Caerphilly, CF83 8DW. T: 029 2088 0811