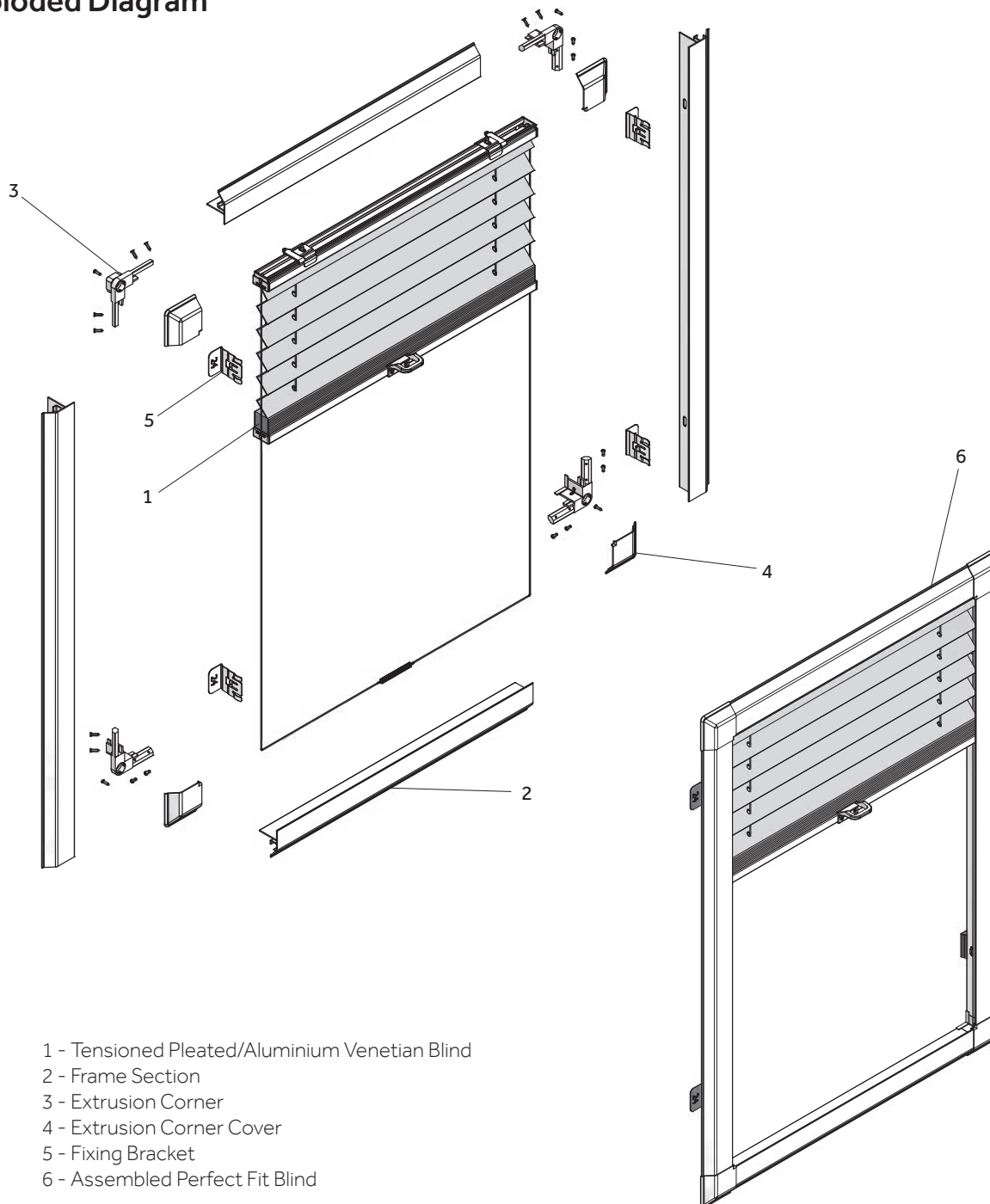


Perfect Fit Pleated/Venetian Blind Assembly & Fitting Instructions

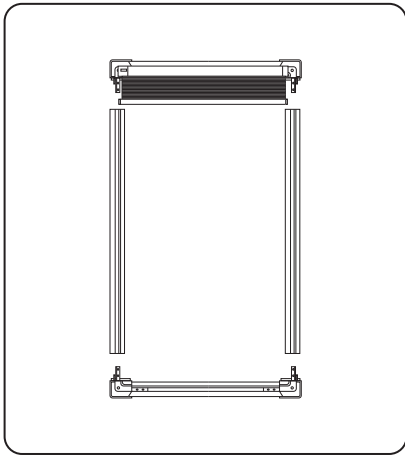
Exploded Diagram



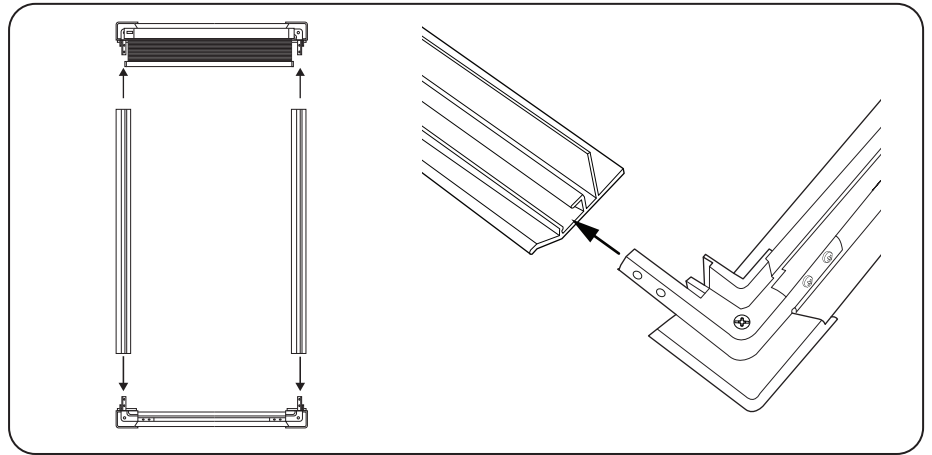
- 1 - Tensioned Pleated/Aluminium Venetian Blind
- 2 - Frame Section
- 3 - Extrusion Corner
- 4 - Extrusion Corner Cover
- 5 - Fixing Bracket
- 6 - Assembled Perfect Fit Blind



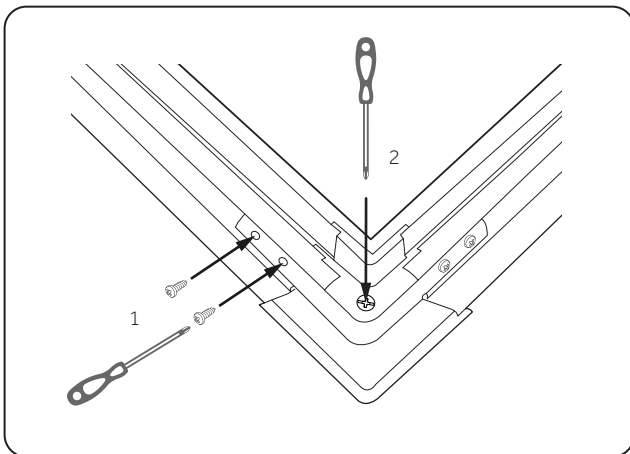
Perfect Fit Frame Assembly Instructions



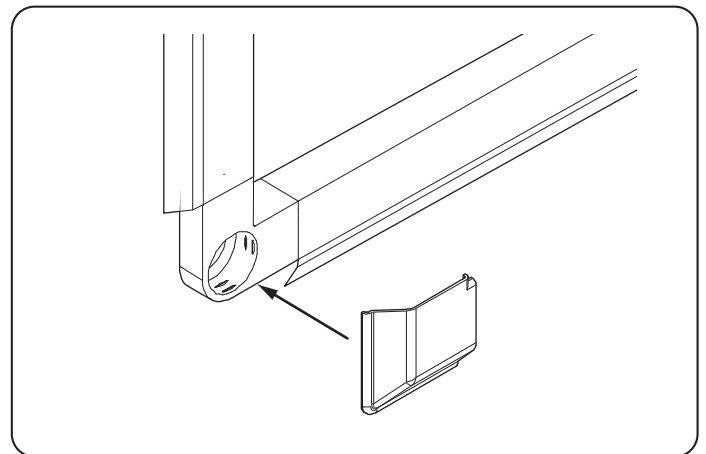
1. Carefully unwrap the blind parts and lay them out face down on a clean, even surface.



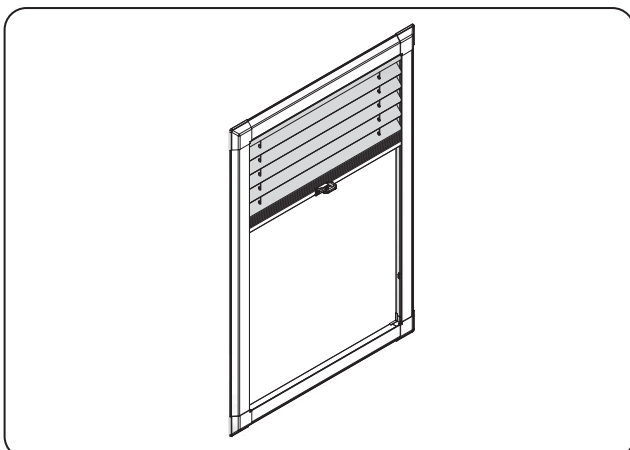
2. Guide the side frame components onto the exposed arms of bottom corner joints and follow the same procedure with the top frame compartment.



3. Secure the side frame components with supplied screws (1) and tighten attached middle corner joint screw (2). Repeat the process for each corner.

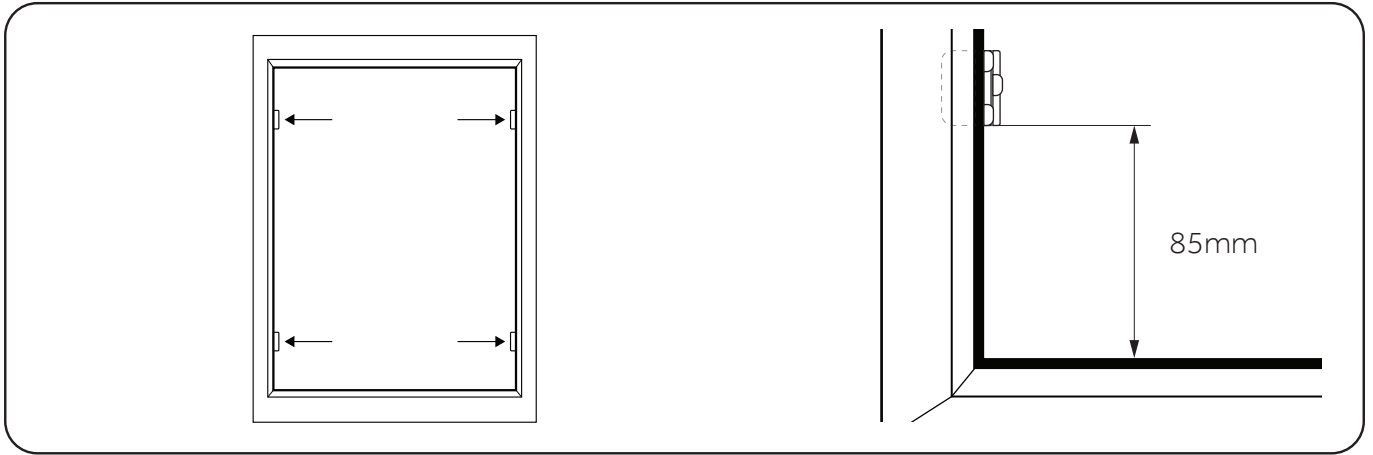


4. Turn assembled frame face up and clip supplied Extrusion Corner Covers onto each corner joint.

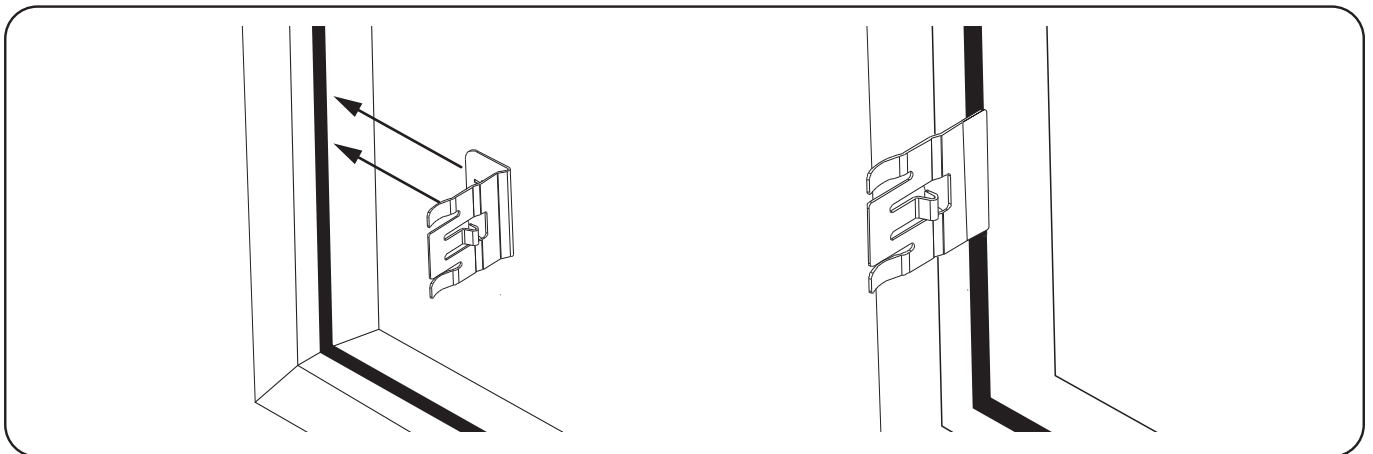


5. Your Perfect Fit blind is ready to be fitted.

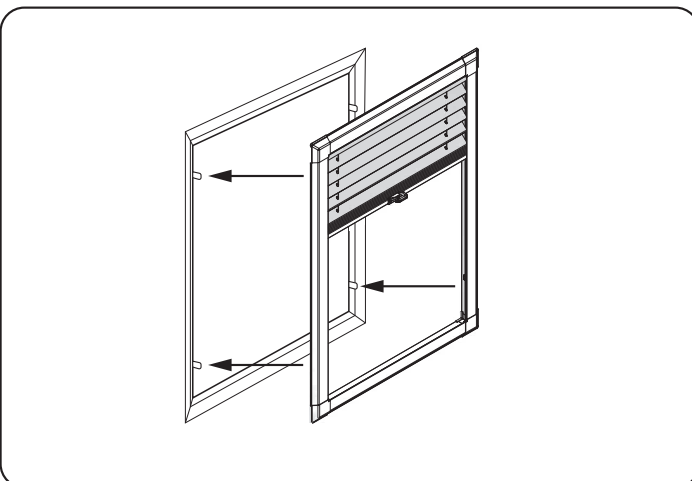
Perfect Fit Blind Fitting Instructions



1. To ensure all brackets are in correct position for fitting, measure 85mm from top and bottom beading on both sides of the window frame.



2. Fit the bracket by pushing it between the glass and the rubber seal of the window. For ease insertion, use a lubricant in the form of washing up liquid on the base of each bracket. Repeat the proces for each bracket.



3. Clean excess lubricant and clip your Perfect Fit blind onto the window frame.