

DECORQUIP[®]
interior shading solutions

THE DREAM RANGE USER'S GUIDE

MOTORISATION MADE EASY

Dream Range

CONTENTS

DREAM RANGE PRODUCT SPECIFICATION..... 5

1. DREAM MOTORS.....	6
1a. ROLLER MOTORS.....	6
FUNCTIONAL FEATURES.....	7
INSTALLATION.....	8
CHARGING.....	8
1b. ROMAN AND PLEATED MOTOR.....	8
FUNCTIONAL FEATURES.....	9
INSTALLATION.....	9
POWER SOURCE.....	9
CHARGING.....	10
2. DREAM CONTROLS.....	10
2a. DREAM MULTI-CHANNEL REMOTE.....	10
2b. DREAM 15-CHANNEL WALL SWITCH.....	11
2c. DREAM HUB-PRO.....	12
2d. DREAM HUB-MINI.....	12
2e. DREAM SIGNAL BOOSTER.....	13
2f. SUN SENSOR.....	13

PROGRAMMING INSTRUCTIONS - MOTORS..... 14

1. DREAM MOTORS AND MULTI-CHANNEL REMOTE.....	15
1a. BUTTON SPECIFICATION.....	15
1b. P1 BUTTON SETTINGS.....	15
SHORT PRESS FUNCTION.....	15
SLEEP MODE.....	16
SWITCHING DIRECTION.....	16
RESTORING FACTORY SETTINGS.....	16
1c. PAIRING A REMOTE AND INITIAL SETTINGS.....	17
PAIRING A REMOTE WITH A MOTOR.....	17
REMOVING A MOTOR FROM A REMOTE.....	17
SWITCHING DIRECTION.....	17
SETTING THE TOP LIMIT.....	18
SETTING THE BOTTOM LIMIT.....	18
1d. ADVANCED SETTINGS.....	18
SWITCHING FROM CONTINUOUS MODE TO JOG MODE.....	18
SWITCHING FROM JOG MODE TO CONTINUOUS MODE.....	19
INCREASING MOTOR SPEED.....	19
DEACREASING MOTOR SPEED.....	19
SETTING A FAVOURITE STOP POSITION.....	19
CLEARING A FAVOURITE STOP POSITION.....	20
FINE-TUNING A TOP LIMIT.....	20
FINE-TUNING A BOTTOM LIMIT.....	20
ADDING OR REMOVING AN EXTRA REMOTE.....	20

CONTENTS

PROGRAMMING INSTRUCTIONS - CONTROLS.....	21
2. DREAM MULTI-CHANNEL REMOTE (ADDITIONAL FUNCTIONS).....	21
HIDE OR UNHIDE CHANNEL FUNCTIONS.....	21
UNI-DIRECTION/BI-DIRECTION SWITCHING MODE.....	21
LOCK/UNLOCK MODE.....	21
3. DREAM HUB-PRO AND DREAM HUB-MINI.....	22
CONNECTOR APP DOWNLOAD INSTRUCTIONS.....	22
4. DREAM SIGNAL BOOSTER.....	22
SETUP INSTRUCTIONS.....	22
5. SUN SENSOR.....	23
PAIRING A SENSOR WITH A SINGLE BLIND.....	23
PAIRING A SENSOR WITH MULTIPLE BLINDS.....	23
SWITCHING BETWEEN SENSOR MODES.....	23
MODES INDICATION.....	24
SWITCHING LIGHT LEVELS.....	24
LOW BATTERY ALERT.....	24
TESTING APPLIED SETTINGS.....	24
CONFORMITY DECLARATION AND DISPOSAL INSTRUCTIONS.....	24

PRODUCT SPECIFICATION

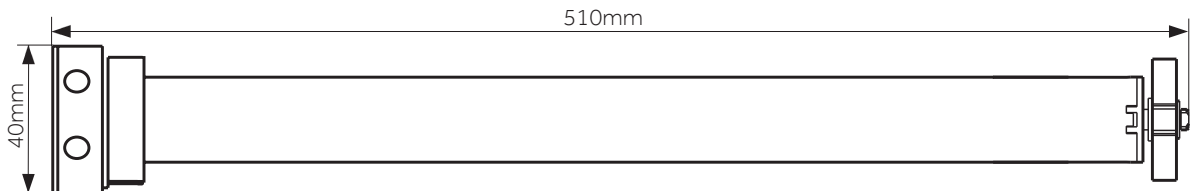
1.DREAM MOTORS

The Dream Motors come in a few shapes and sizes but the setup and programming options are identical for all of them.

For programming options go to page 10.

1a. ROLLER MOTORS

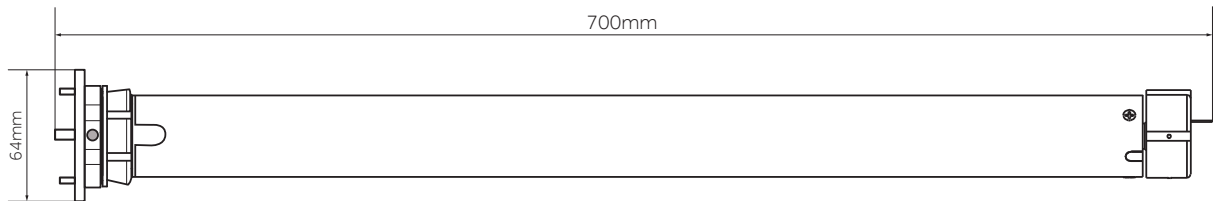
ROLLER 38 BATTERY MOTOR 191723



TECHNICAL SPECIFICATION

CONTROL TYPE	RADIO	RATED VOLTAGE	12 V	IP RATING	IP44
LIMITS	ELECTRONIC (set remotely)	RATED POWER	10 W	LIFTING CAPACITY	5.8 Kg
OUTPUT SPEED	40 rpm	RATED CURRENT	0.83 A	MIN. BLIND WIDTH	590 mm
RATED TORQUE	1.1 N.m	RADIO FREQUENCY	433.92 MHz	MOTOR LENGTH	510 mm

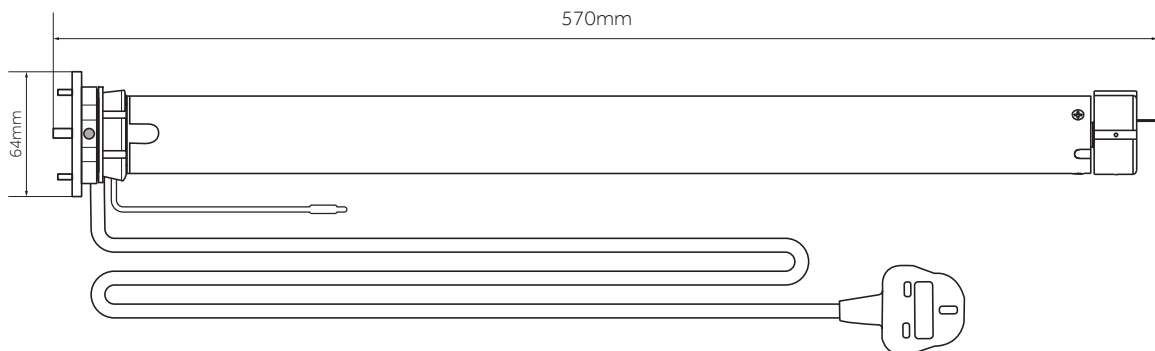
ROLLER 45 BATTERY MOTOR 191713



TECHNICAL SPECIFICATION

CONTROL TYPE	RADIO	RATED VOLTAGE	12 V	IP RATING	IP44
LIMITS	ELECTRONIC (set remotely)	RATED POWER	18 W	LIFTING CAPACITY	13.3 Kg
OUTPUT SPEED	28 rpm	RATED CURRENT	1.5 A	MIN. BLIND WIDTH	770 mm
RATED TORQUE	3 N.m	RADIO FREQUENCY	433.92 MHz	MOTOR LENGTH	700 mm

ROLLER 45 MAINS MOTOR 191714



TECHNICAL SPECIFICATION

CONTROL TYPE	RADIO	RATED VOLTAGE	230 V	IP RATING	IP44
LIMITS	ELECTRONIC (set remotely)	RATED POWER	121 W	LIFTING CAPACITY	26.7 Kg
OUTPUT SPEED	20 rpm	RATED CURRENT	0.53 A	MIN. BLIND WIDTH	640 mm
RATED TORQUE	6 N.m	RADIO FREQUENCY	433.92 MHz	MOTOR LENGTH	570 mm

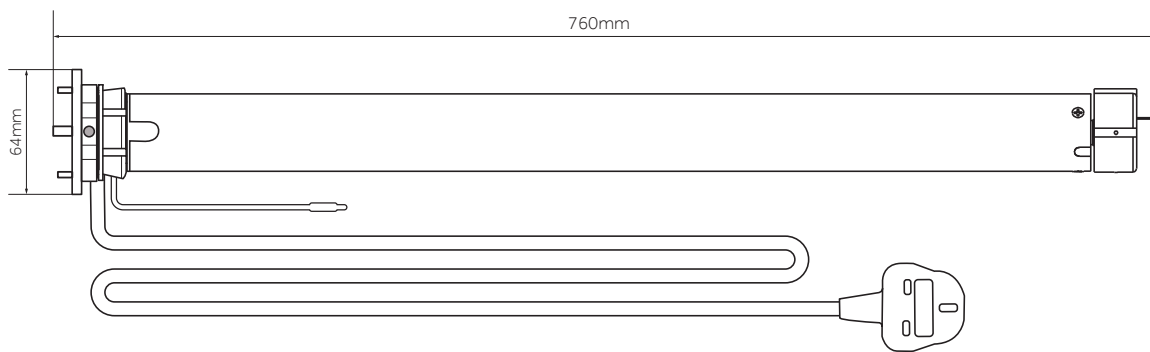
ROLLER 55 BATTERY MOTOR 191711



TECHNICAL SPECIFICATION

CONTROL TYPE	RADIO	RATED VOLTAGE	12 V	IP RATING	IP44
LIMITS	ELECTRONIC (set remotely)	RATED POWER	26 W	LIFTING CAPACITY	10.9 Kg
OUTPUT SPEED	28 rmp	RATED CURRENT	1.5 A	MIN. BLIND WIDTH	890 mm
RATED TORQUE	3 N.m	RADIO FREQUENCY	433.92 MHz	MOTOR LENGTH	830 mm

ROLLER 55 MAINS MOTOR 191712



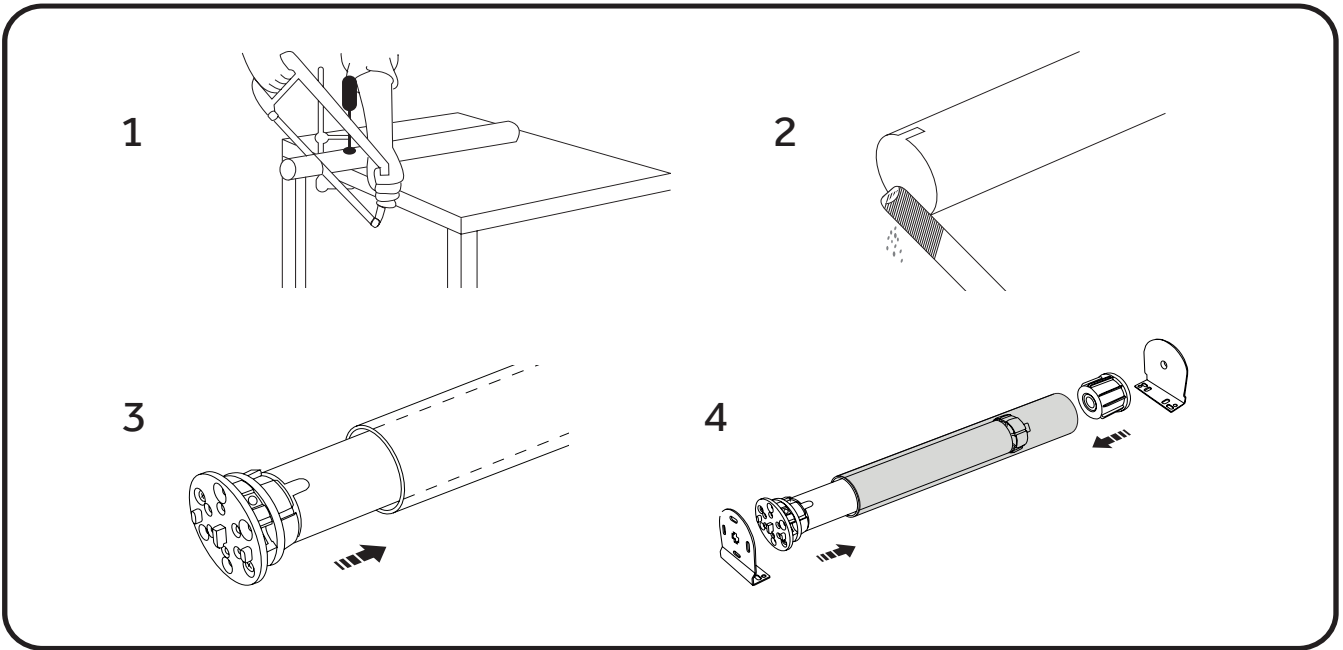
TECHNICAL SPECIFICATION

CONTROL TYPE	RADIO	RATED VOLTAGE	230 V	IP RATING	IP44
LIMITS	ELECTRONIC (set remotely)	RATED POWER	155 W	LIFTING CAPACITY	21.8 Kg
OUTPUT SPEED	28 rmp	RATED CURRENT	0.63 A	MIN. BLIND WIDTH	830 mm
RATED TORQUE	6 N.m	RADIO FREQUENCY	433.92 MHz	MOTOR LENGTH	780 mm

FUNCTIONAL FEATURES

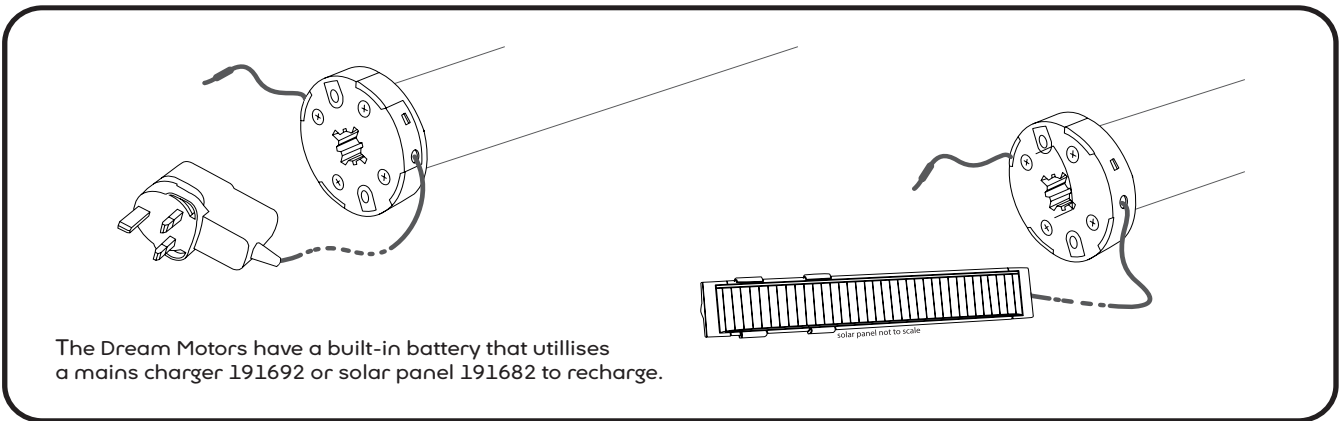
- Bi-Directional Functionality
- Electronic Limit Setting
- Jog Mode
- Program / Operation Button (P1)
- Three Speed Settings (battery motors)
- Built-in Lithium-ion Battery (battery motors)
- Mains / Solar Charging (battery motors)
- Switch Direction
- Built-in Radio Receiver
- Favourite Stop Position
- Internally Stored Settings
- Pair with up to 10 Control Devices

INSTALLATION



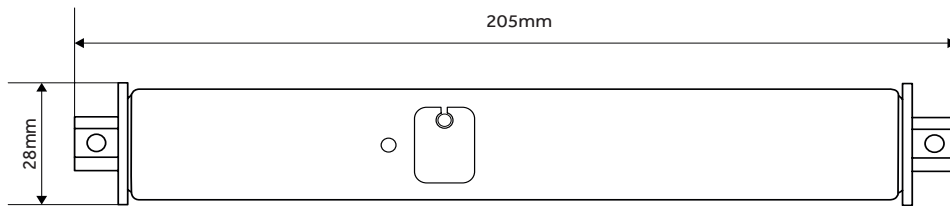
CHARGING

APPLICABLE FOR BATTERY MOTORS ONLY



1b. ROMAN/PLEATED MOTORS

ROMAN BLIND LV BATTERY MOTOR 191695
PLEATED BLIND LV BATTERY MOTOR 191699



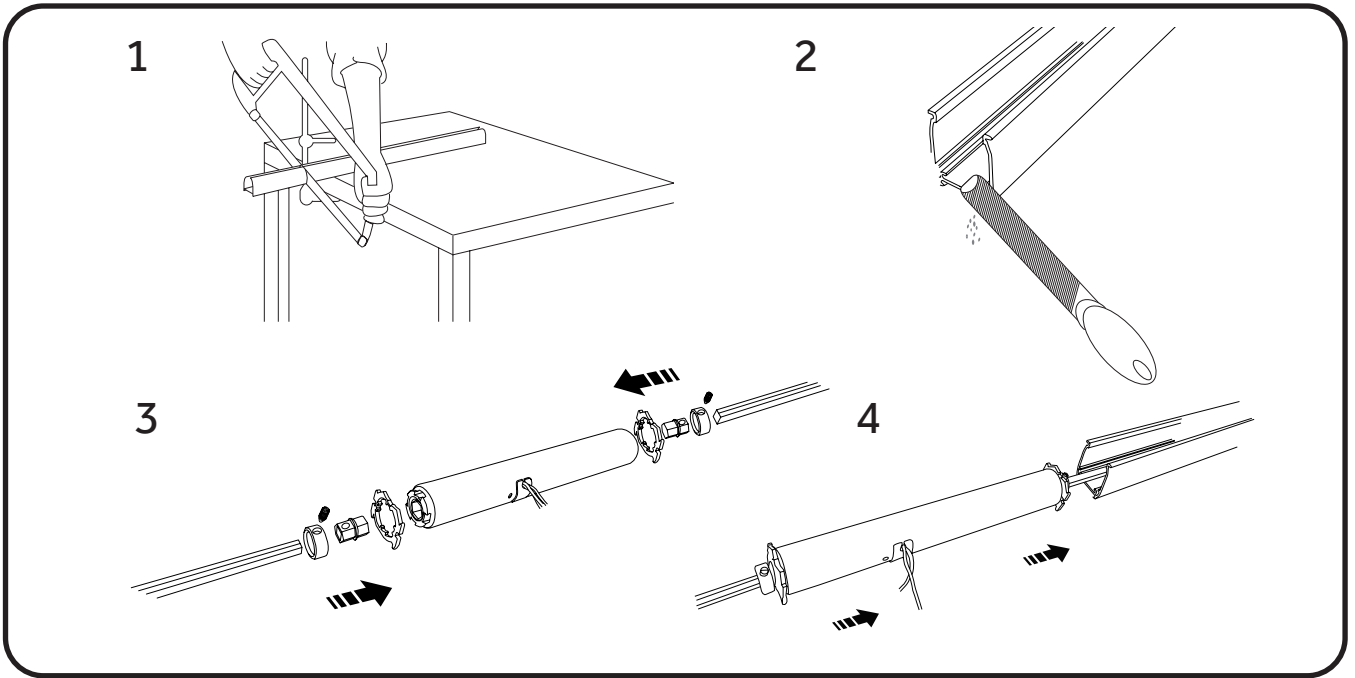
TECHNICAL SPECIFICATION

CONTROL TYPE	RADIO	RATED VOLTAGE	12 V	IP RATING	IP1.9
LIMITS	ELECTRONIC (set remotely)	RATED POWER	12 W	LIFTING CAPACITY	8 Kg
OUTPUT SPEED	34 rpm	RATED CURRENT	0.3 A	MIN. BLIND WIDTH	PLEATED 450 mm ROMAN 500 mm
RATED TORQUE	0.82 N.m	RADIO FREQUENCY	433.92 MHz	MOTOR LENGTH	205 mm

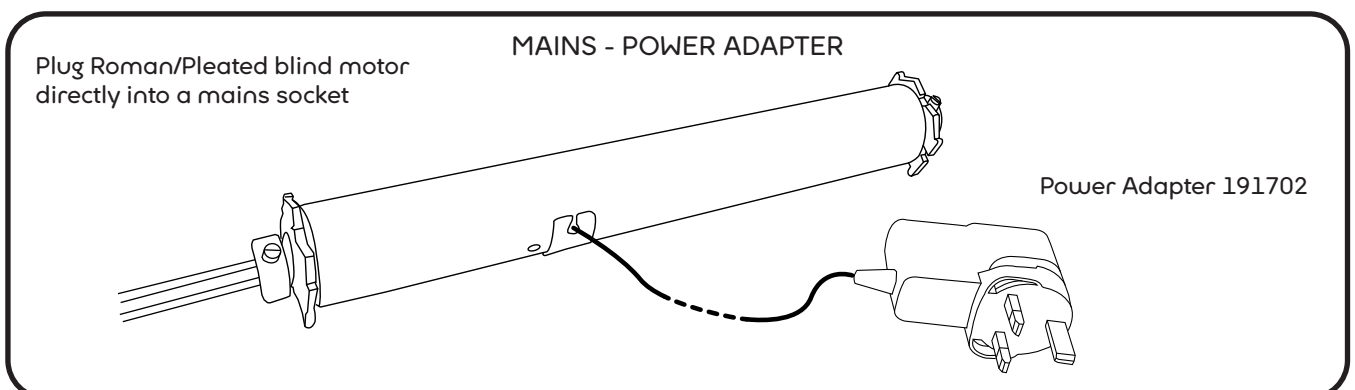
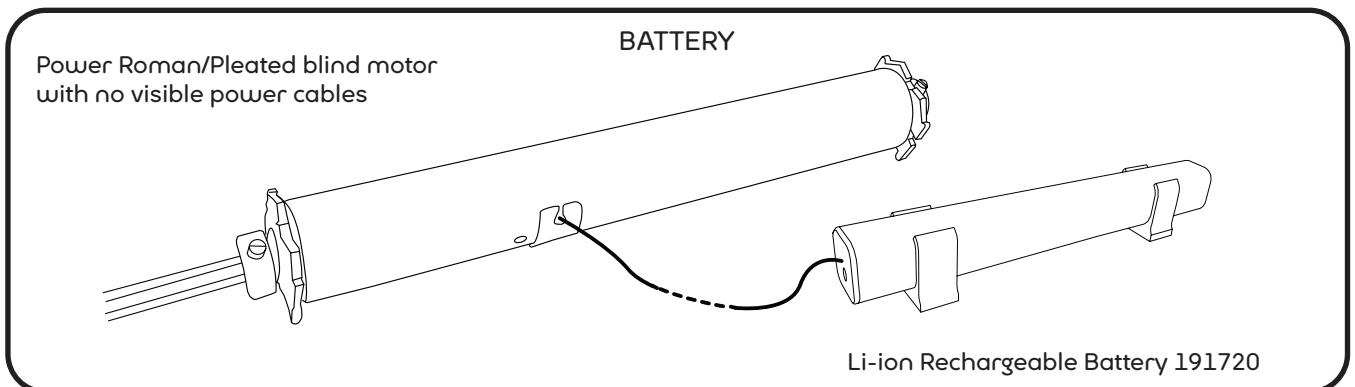
FUNCTIONAL FEATURES

- Bi-Directional Functionality
- Electronic Limit Setting
- Jog Mode
- Program / Operation Button (P1)
- Three Speed Settings
- External Li-ion Battery attached by a wire
- Mains / Solar battery charging
- Mains power option with a power adapter
- Built-in Radio Receiver
- Favourite Stop Position
- Internally Stored Settings
- Pair with up to 10 Control Devices

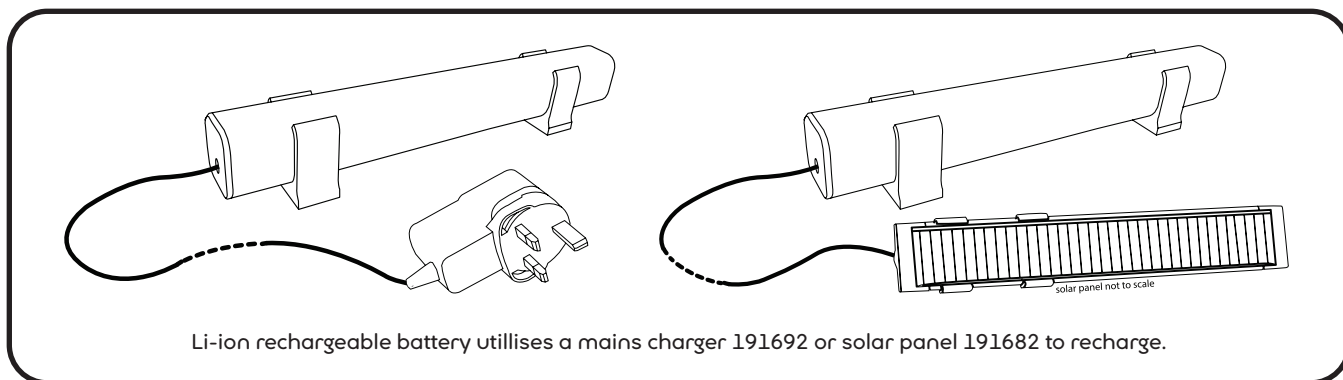
INSTALLATION



POWER SOURCE



CHARGING



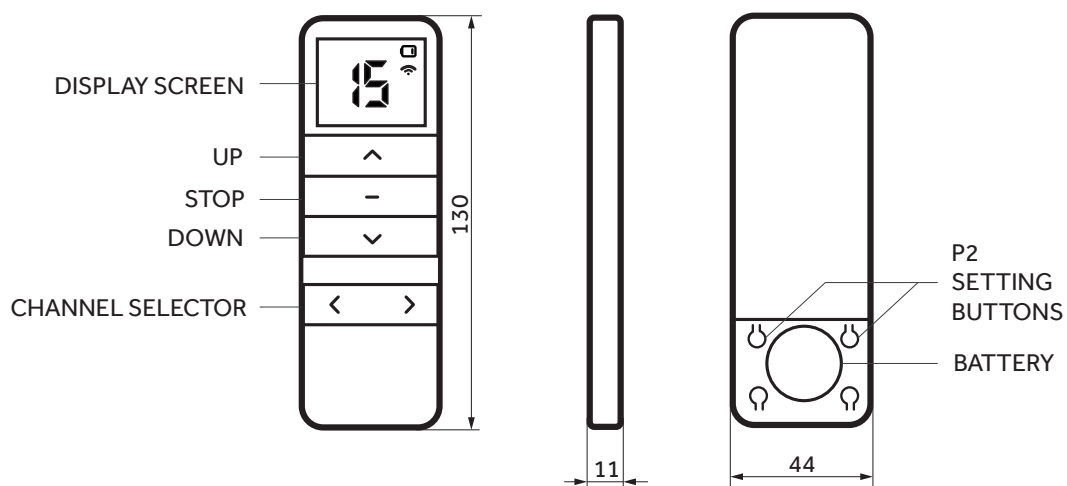
2.DREAM CONTROLS

2a. DREAM 15-CHANNEL REMOTE 191679

The remote is compatible with all bi-directional Dream Motors and older uni-directional motors.

For programming and pairing options go to page 10.

For programming the additional wall switch's features go to page 17.



TECHINCAL SPECIFICATION

INPUT VOLTAGE	3V	TRANSMITTING POWER	10MW
BATTERY	CR2450	OUTSIDE TRANSMISSION RANGE	200m
TRANSMITTING FREQUENCY	433.925MHz	INSIDE TREANSMISSION RANGE	35m

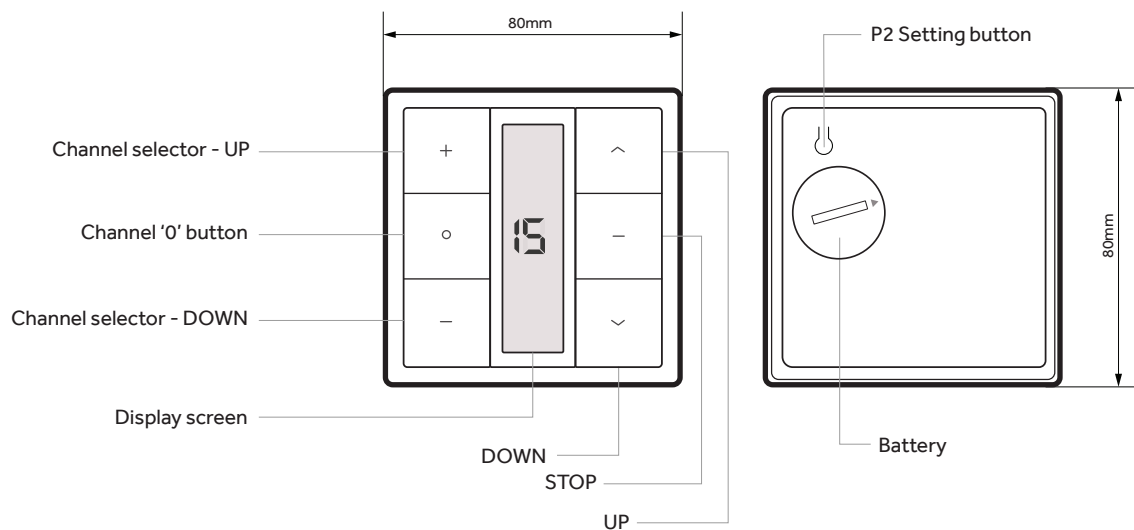
FUNCTIONAL FEATURES

- Bi-directional functionality
- Uni-directional functionality
- 15 channels
- Pair up to 20 motors per channel
- Channel '0' to operate all paired blinds simultaneously
- Button lock/unlock option
- Hide/Unhide channel option
- Standard CR2450 cell battery
- Magnetic wall bracket

2b. DREAM 15-CHANNEL WALL SWITCH 191685

The wall switch is compatible with all bi-directional Dream Motors and older uni-directional motors. The programming and pairing process is exactly the same as for the remote. For programming and pairing options go to page 10.

For programming the additional wall switch's features go to page 17.



TECHINCAL SPECIFICATION

INPUT VOLTAGE	3V	TRANSMITTING POWER	10MW
BATTERY	CR2450	OUTSIDE TRANSMISSION RANGE	200m
TRANSMITTING FREQUENCY	433.925MHz	INSIDE TREANSMISSION RANGE	35m

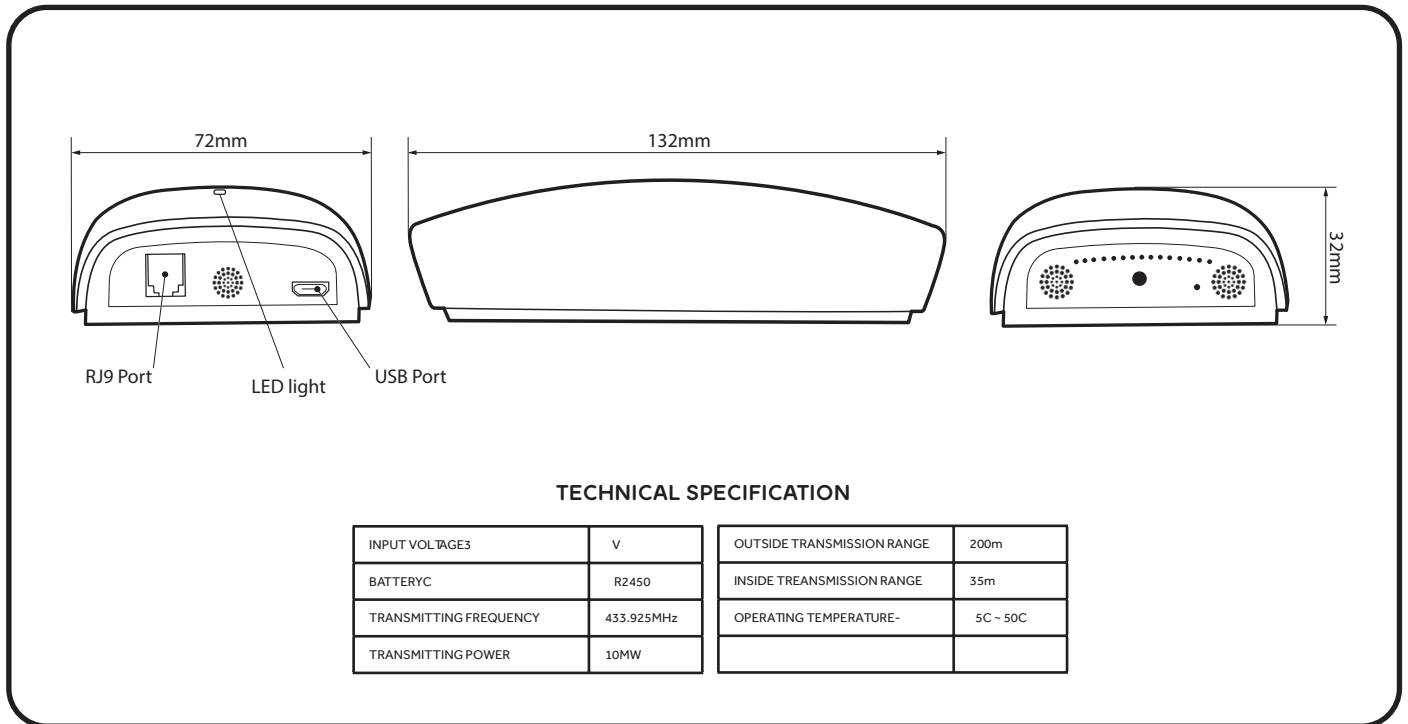
FUNCTIONAL FEATURES

- Bi-directional functionality
- Uni-directional functionality
- 15 channels
- Battery replacing tool
- Button lock/unlock option
- Hide/Unhide channel option
- Standard CR2450 cell battery

2c. DREAM HUB-PRO 191726

The Dream Hub works with all Dream Motors, by connecting them to your Wi-Fi network to allow you to operate your blinds via smartphone with the free Connector app or voice control devices.

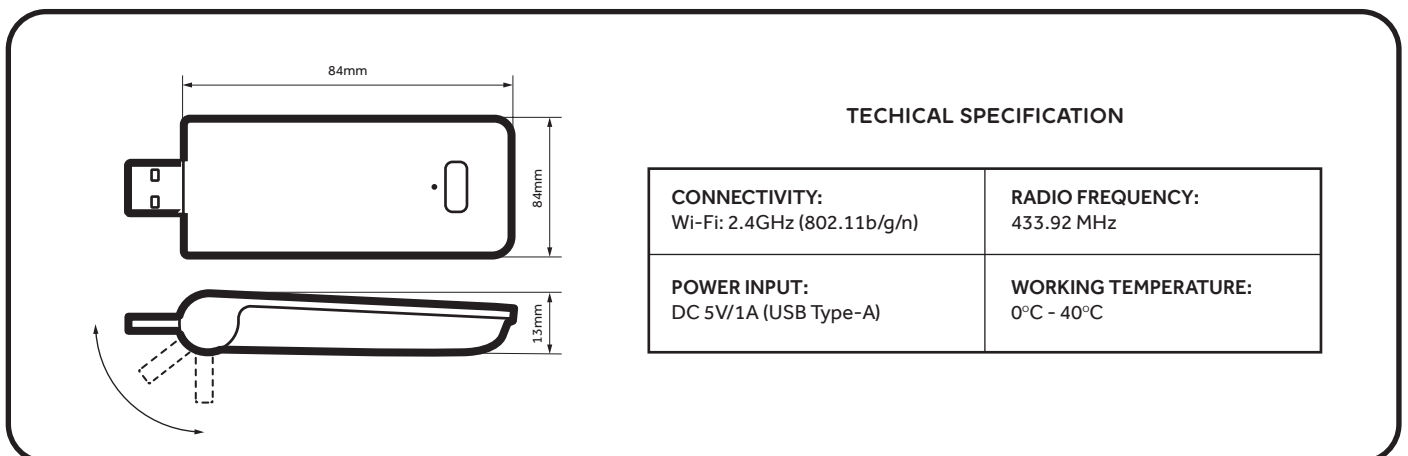
For Connector App download instructions go to page 18.



2d. DREAM HUB-MINI 191717

The Dream Hub-Mini is a smaller version of its Pro equivalent and likewise works with all Dream Motors, by connecting them to your Wi-Fi network to allow you to operate your blinds via smartphone with the free Connector app or voice control devices.

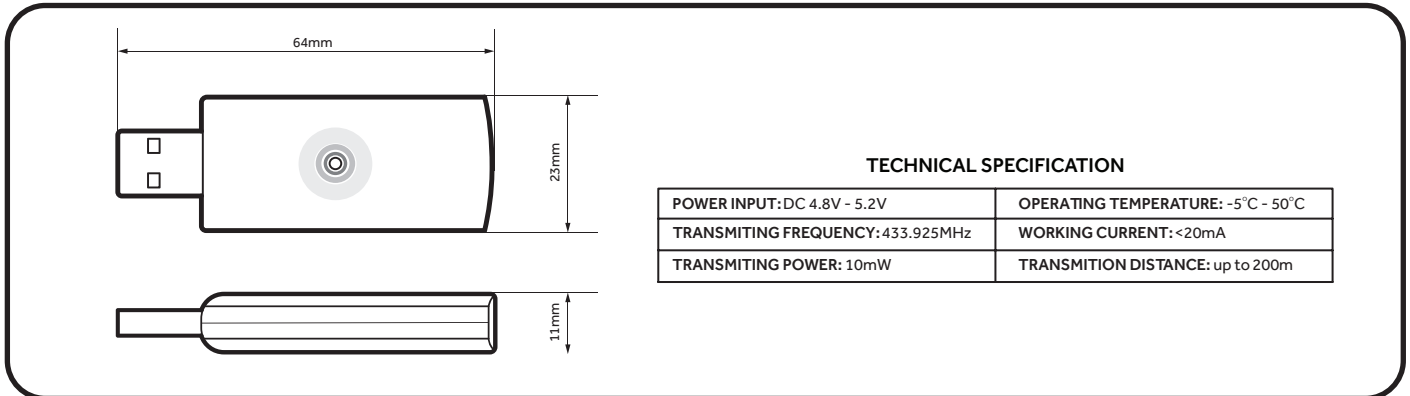
For Connector App download instructions go to page 18.



2e. DREAM SIGNAL BOOSTER 191716

The Dream Signal Booster works with all Dream Motors and control devices. When plugged in between a control device and blinds extends the signal range up to 200m.

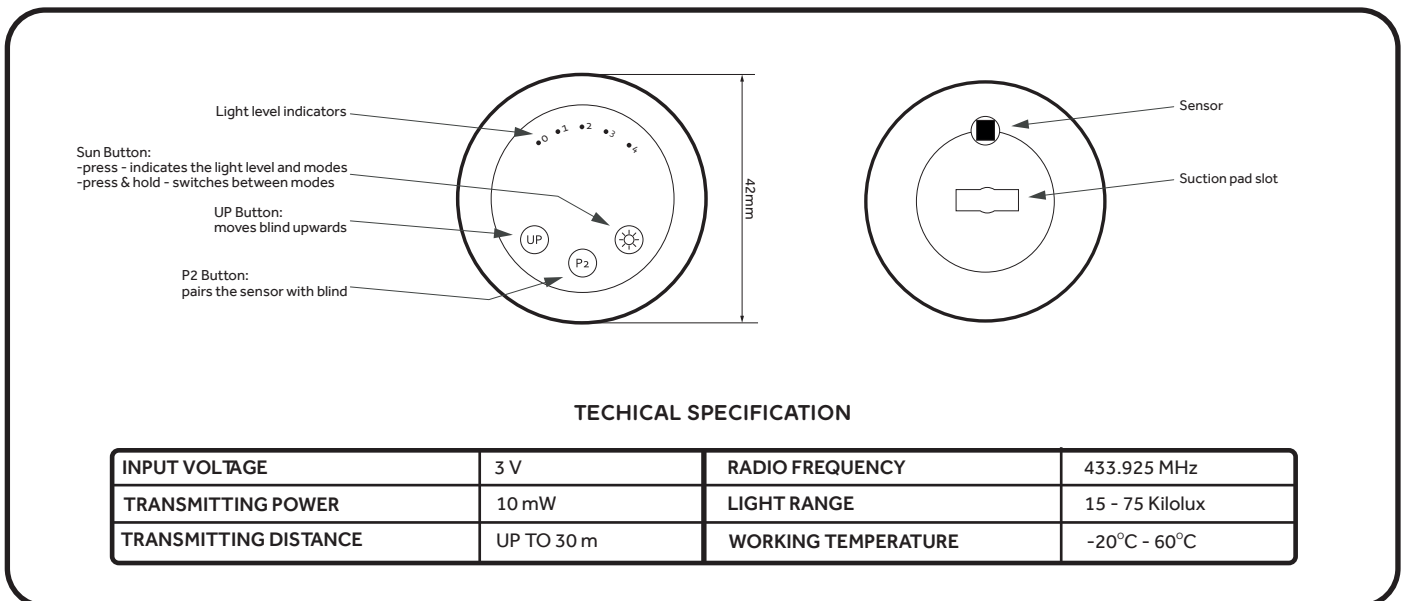
For set up instructions go to page 18.



2f. SUN SENSOR 191727

The Sun Sensor is compatible with all Dream Motors and works on a simple premise: automatically closing blinds when the sun is too bright and opening them as soon as the situation changes.

For programming and pairing instructions go to page 19.



FUNCTIONAL FEATURES

- Small form for discreet positioning
- Battery included
- Operates in temperatures -20° to 60°
- Low battery alert
- Two fixing options
- Four lux thresholds
- Three modes
- Easy pairing with Dream Motors

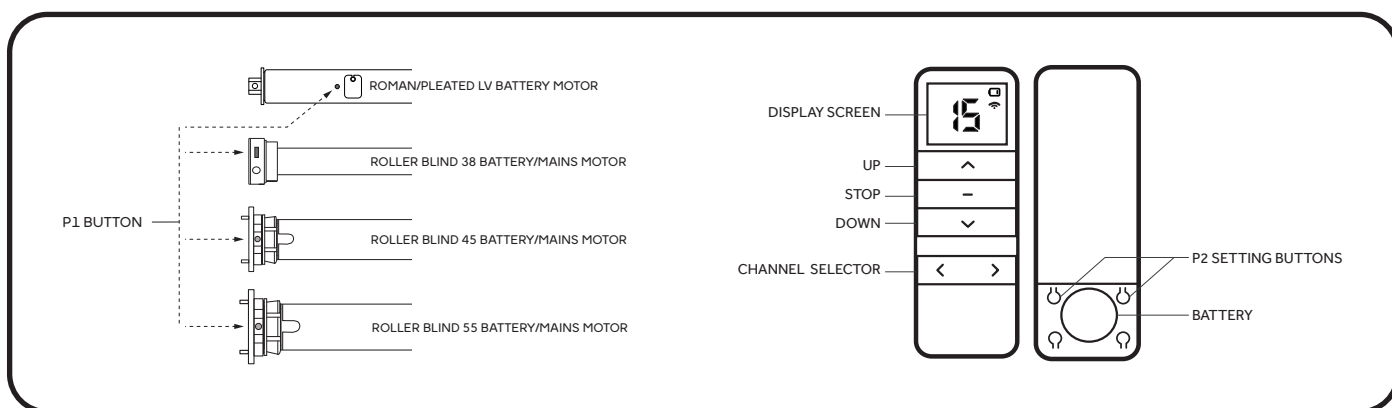
PROGRAMMING INSTRUCTIONS

1. DREAM MOTORS/MULTI-CHANNEL REMOTE CONTROL

Every motor in our Dream range is equipped with bi-directional technology that only affords them some very clever functionality when they're coupled with smart devices, but also makes set up and operation with our Dream Multi-Channel Handheld Remote Control a quick and easy process.

These instructions apply to all bi-directional Dream motors – including all roller, pleated and roman motors – battery or mains powered.

1a. BUTTON SPECIFICATION

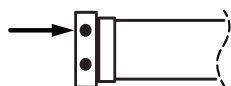


1b. P1 BUTTON SETTINGS

The Dream motors come in a few shapes and sizes but the set up and control instructions are identical for all of them. Crucial to these instructions is the P1 button that can be found on every motor. The button is recessed into the motor to avoid accidental activation but is easily accessed with a pen or a similar device.

As well as being utilised in the pairing process, the P1 button can be used to control the blind when an external control device is unavailable as well as functions such as restoring factory settings.

SHORT PRESS FUNCTION



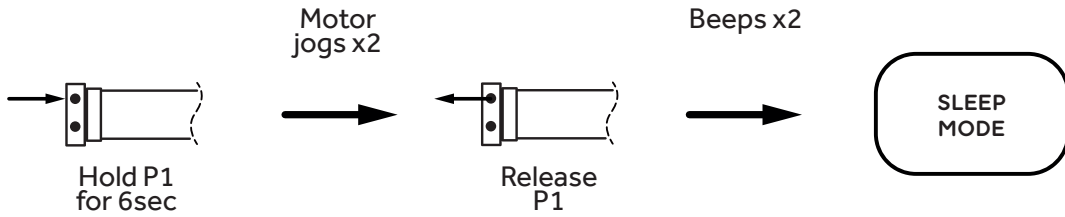
Press P1
for 1sec



Note:

When in jog-mode, holding the up or down buttons will temporarily provide continuous-moving.

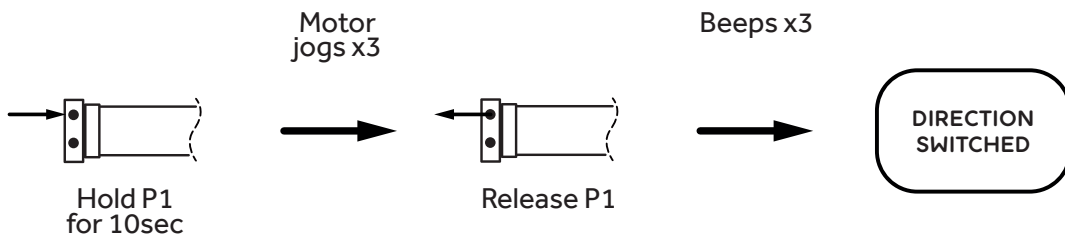
SLEEP MODE



Note:

Sleep mode can be utilised to temporarily deactivate a motor's radio functionality, allowing for multiple motors to be added to a shared channel without disruption. Press P1 to restore functionality.

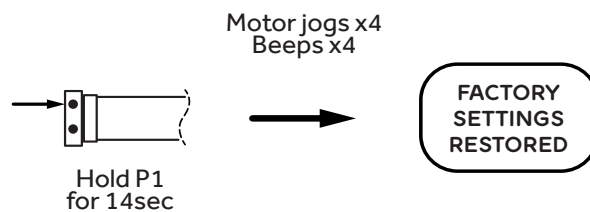
SWITCHING DIRECTION



Note:

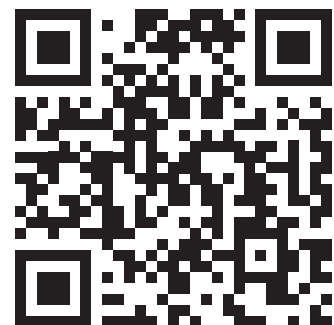
Switching direction using the P1 button is only available once a remote has been paired with the motor.

RESTORING FACTORY SETTINGS



Visit our YouTube channel for video equivalent of these instructions.

DREAM RANGE PROGRAMMING INSTRUCTIONS
- OVERVIEW AND P1 FUNCTIONALITY



1c. PAIRING A REMOTE AND INITIAL SETTINGS

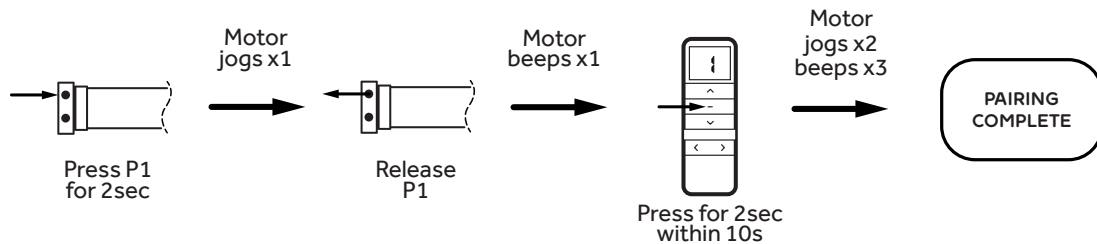
Before starting the process of pairing a handheld remote to a Dream motor, choose the channel to which it is to be paired.

Channel Zero is reserved for simultaneously controlling all blinds paired to a remote and cannot be used for pairing, programming or other adjustments

If using a battery powered motor, ensure that it is sufficiently charged to complete the set-up process.

Charging a motor from empty will take approximately 6 hours.

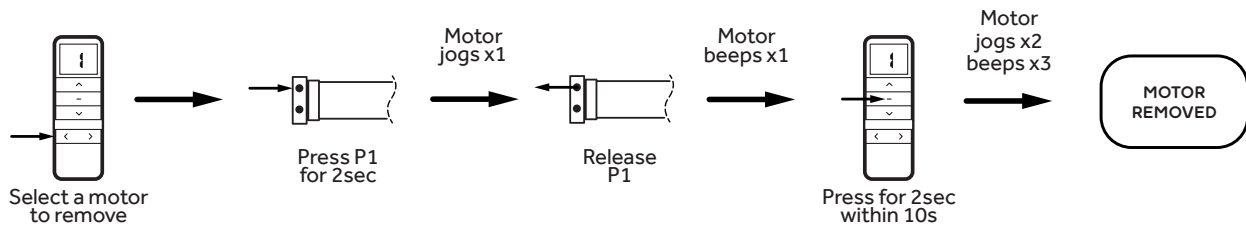
PAIRING A REMOTE WITH A MOTOR



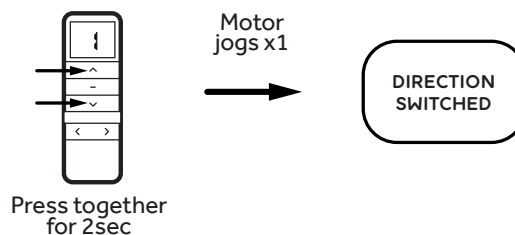
Note:

After pairing a remote and before setting limits, the motor will be defaulted to jog-mode. To switch to continuous-mode, see **ADVANCED FUNCTIONALITY - SWITCHING BETWEEN JOG MODE AND CONTINUOUS MODE** on page 15.

REMOVING A MOTOR FROM A REMOTE



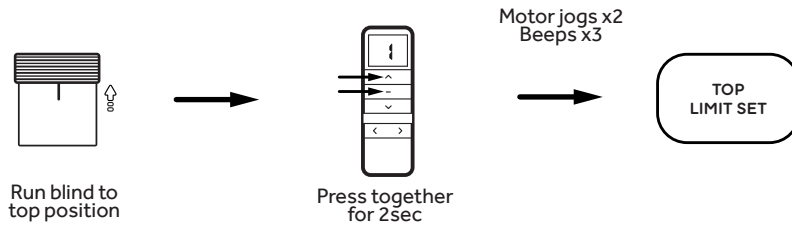
SWITCHING DIRECTION



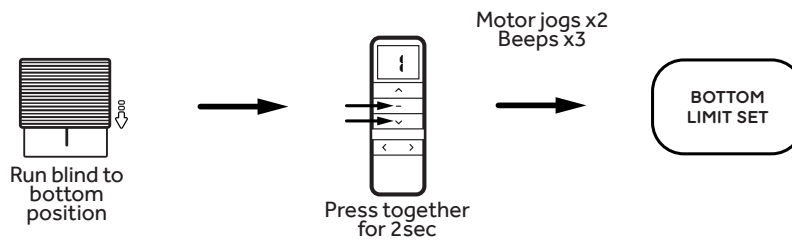
Note:

Switching direction with a remote device is only possible before setting top and bottom limits. To switch after limits have been set, see **P1 BUTTON SETTINGS - SWITCHING DIRECTION** on page 14.

SETTING THE TOP LIMIT



SETTING THE BOTTOM LIMIT

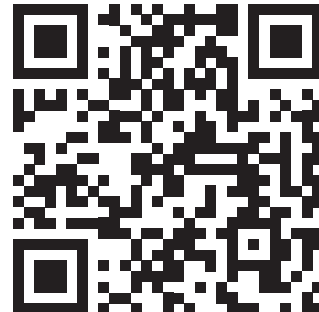


Note:

After setting top and bottom limits, the motor will automatically switch to continuous mode. To switch to jog mode, see **ADVANCED FUNCTIONALITY - SWITCHING BETWEEN JOG MODE AND CONTINUOUS MODE** on page 15.

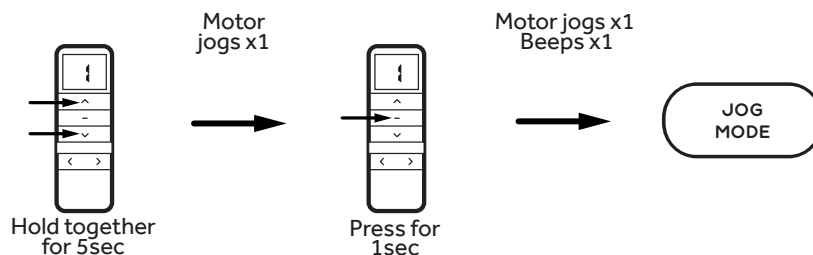
Visit our YouTube channel for video equivalent of these instructions.

DREAM RANGE PROGRAMMING INSTRUCTIONS
- PAIRING A REMOTE AND INITIAL SETTINGS



1d. ADVANCED SETTINGS

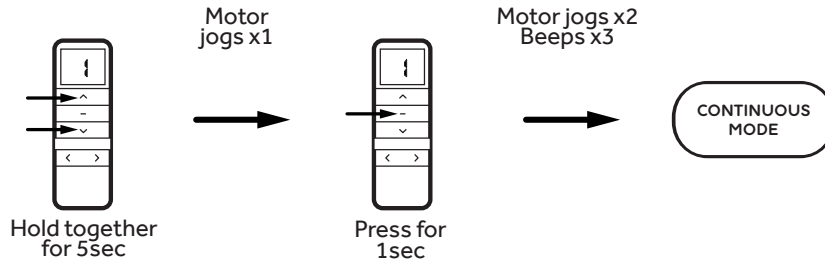
SWITCHING FROM CONTINUOUS MODE TO JOG MODE



Note:

When in jog mode, holding the up or down buttons will provide continuous-moving temporarily.

SWITCHING FROM JOG MODE TO CONTINUOUS MODE

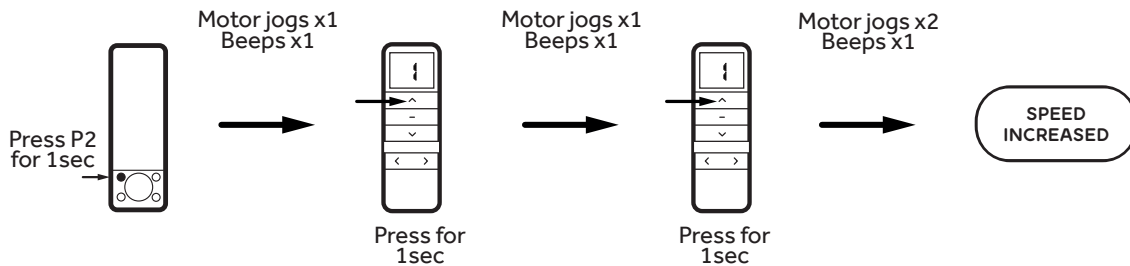


Note:

When in jog mode, holding the up or down buttons will provide continuous-moving temporarily.

INCREASING MOTOR SPEED

BATTERY MOTORS ONLY

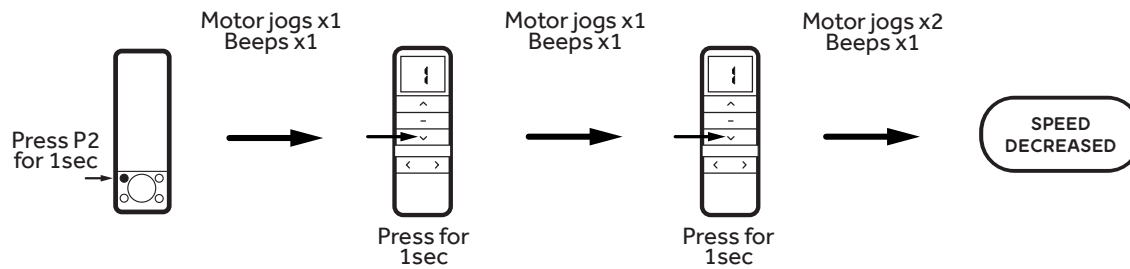


Note:

If the motor does not respond to these instructions, it has already reached its upper speed setting.

DECREASING MOTOR SPEED

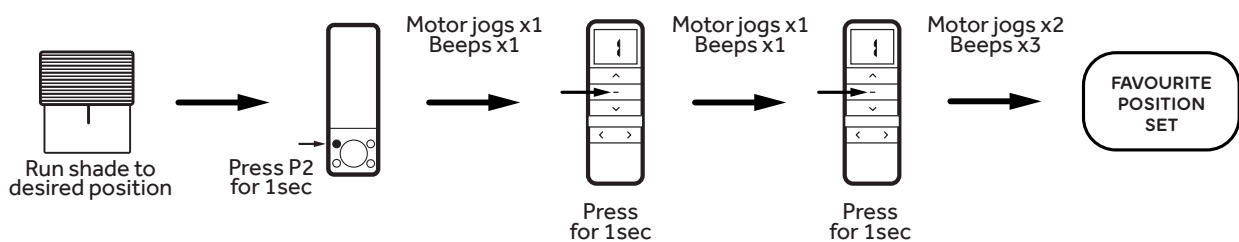
BATTERY MOTORS ONLY



Note:

If the motor does not respond to these instructions, it has already reached its upper speed setting.

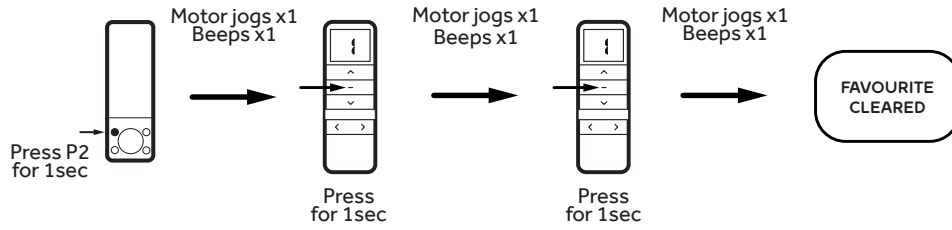
SETTING A FAVOURITE STOP POSITION



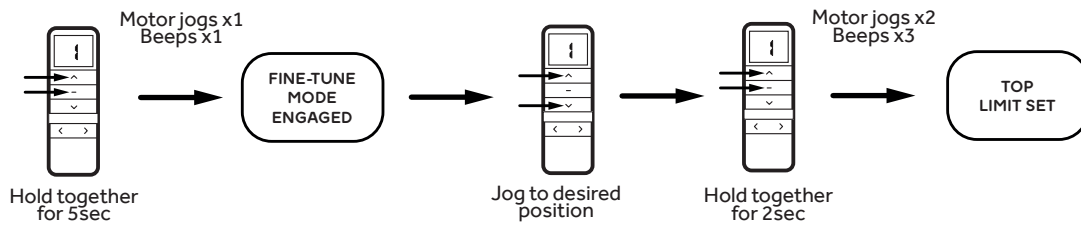
Note:

Once the favourite stop position has been set, it can be activated by holding the stop button for 2 seconds.

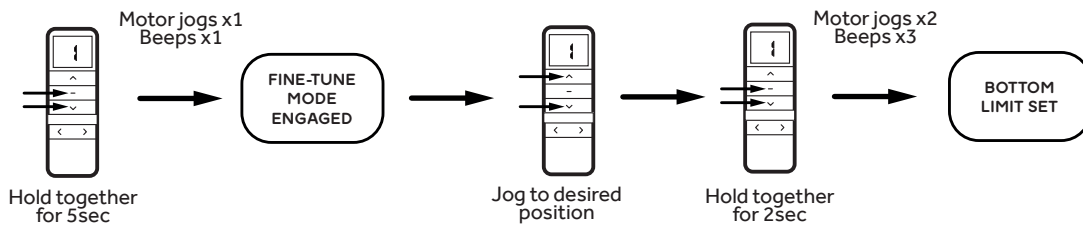
CLEARING A FAVOURITE STOP POSITION



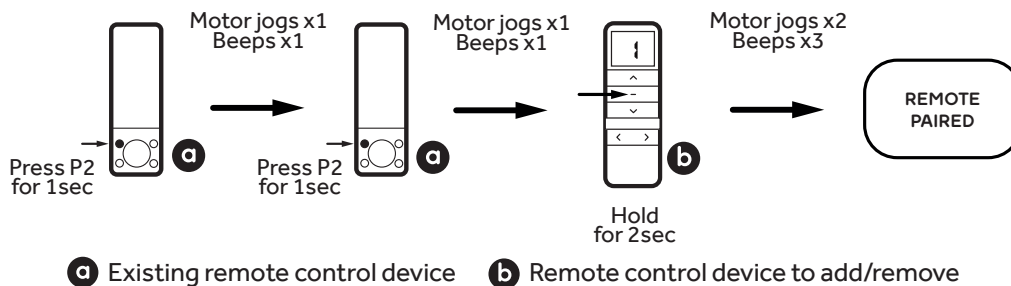
FINE-TUNING A TOP LIMIT



FINE-TUNING A BOTTOM LIMIT



ADDING/REMOVING AN EXTRA REMOTE



Visit our YouTube channel for video equivalent of these instructions.

DREAM RANGE PROGRAMMING INSTRUCTIONS
- ADVANCED FUNCTIONALITY



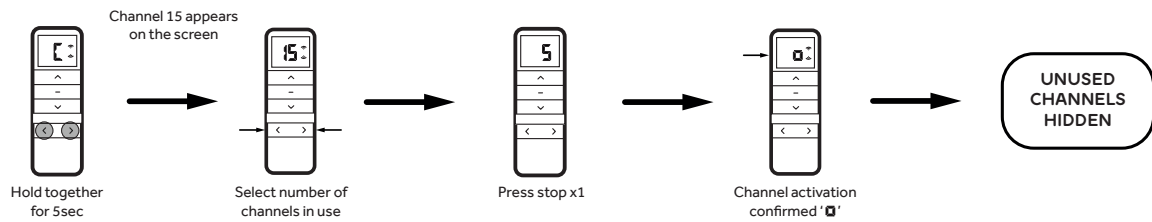
2. DREAM MULTI-CHANNEL REMOTE CONTROL

ADDITIONAL FUNCTIONS

HIDE/UNHIDE CHANNEL FUNCTION

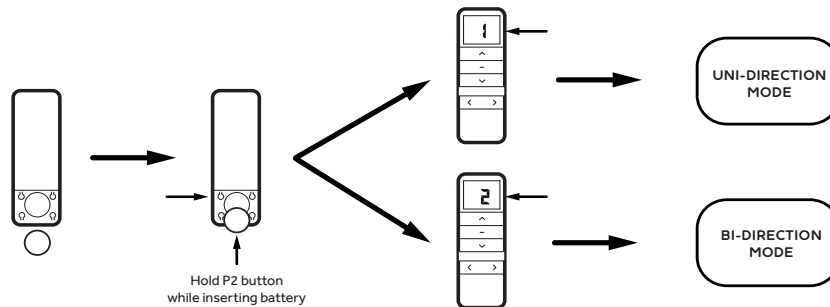
Allows the user to hide or unhide unused or used channels. By selecting a channel, i.e. channel 5, channels 1,2,3,4 and 5 will remain active while the other 10 unused channels will become hidden.

⚠ Factory default: 15 channels unhidden



UNI-DIRECTION/BI-DIRECTION SWITCHING MODE

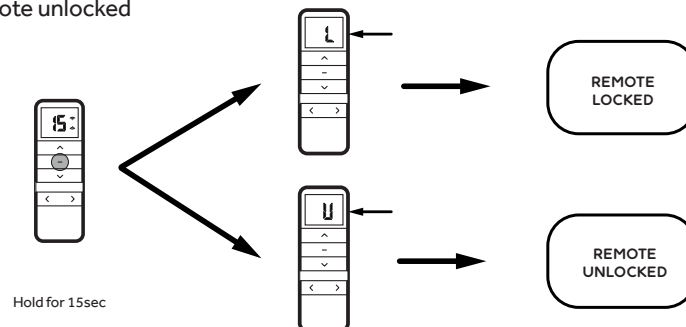
⚠ Factory default: Bi-directional mode



LOCK/UNLOCK MODE

Enables or disables entering the remote setting mode without affecting normal blind operation.

⚠ Factory default: Remote unlocked



3. DREAM HUB-PRO/DREAM HUB-MINI

1. Download the Connector app to pair and operate your Dream Hub and devices.

Connector is a free app, developed by our partner Shade Connector, and is available for iOS and Android.



Connector app download



iOS



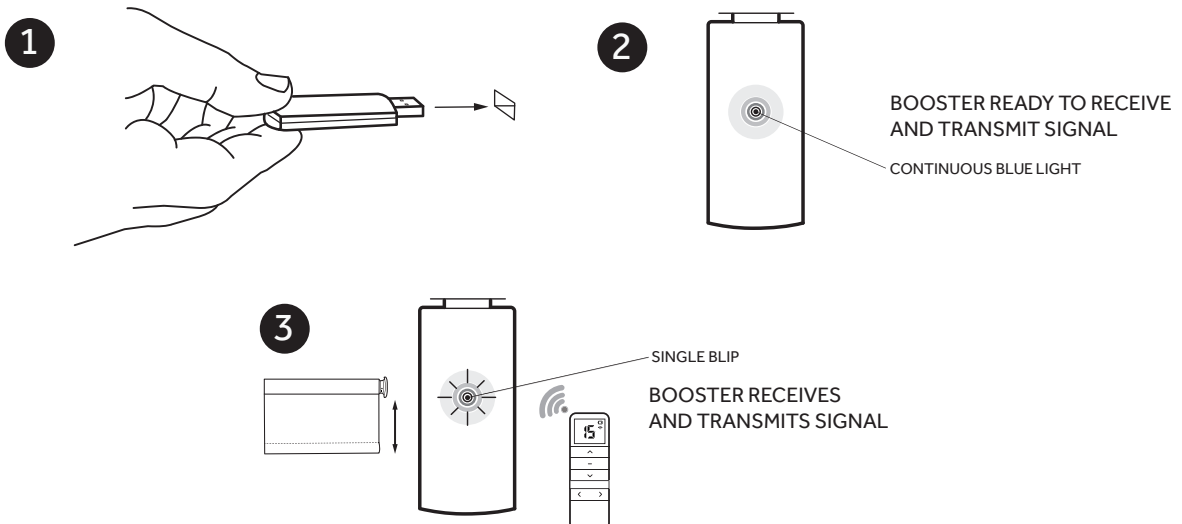
Android

2. If using the Connector app for the first time, create an account and sign in.
3. Once signed in, follow the in-app wizard for setup and operation instructions.

Follow along with our video guide which includes instructions on how to operate your blinds via Alexa and Google Home.

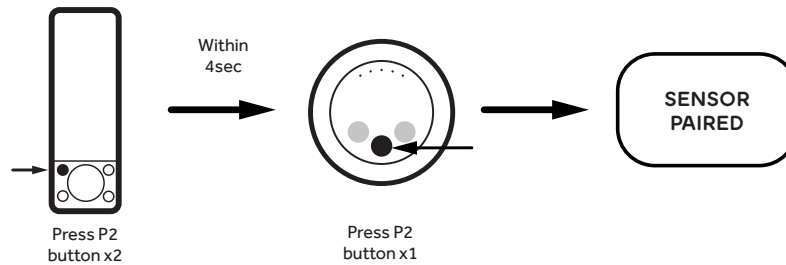


4. DREAM SIGNAL BOOSTER

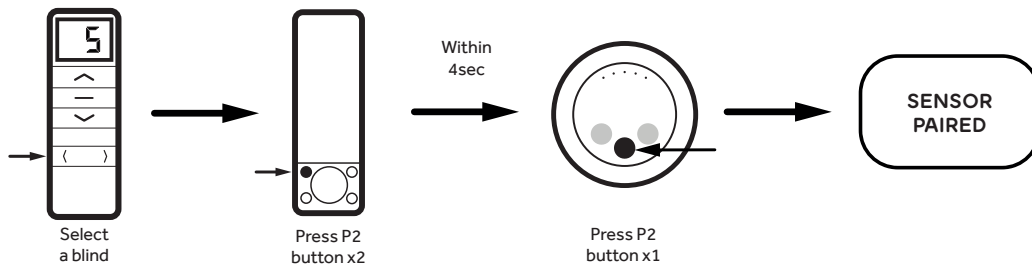


5. SUN SENSOR

PAIRING A SENSOR WITH A SINGLE BLIND



PAIRING A SENSOR WITH MULTIPLE BLINDS



SWITCHING BETWEEN SENSOR MODES

MODE 1

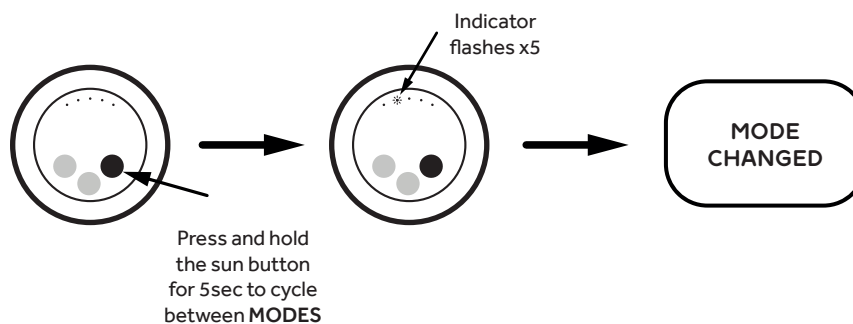
When the sun is out continuously for 2mins, the sensor will close the blind. You will have to use a remote to open the blind again. After opening the blind the process of closing will repeat as normal.

MODE 2

When the sun is out continuously for 2mins, the sensor will close the blind. When the light level falls below the threshold of 15 kilolux (Light Level 1) for a continuous 15mins, the sensor will open the blind. Even a short burst of light over the 15 kilolux after the blind being shut will reset the sensor's timer and start the 15mins count-down from the beginning.

MODE 3

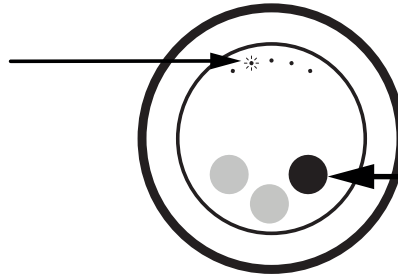
When the sun is out continuously for 2mins, the sensor will close the blind. When the light level falls below the threshold of 15 kilolux (Light Level 1) within 15mins the sensor will open the blind instantaneously. If the light level falls below the threshold after 15mins, the sensor will open the blind after 15mins.



MODES INDICATION

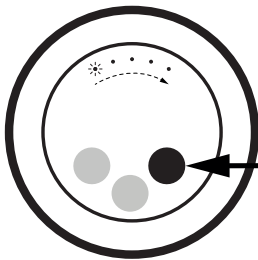
Amount of flashes indicates the mode:

- Mode 1 ☀ ☀
- Mode 2 ☀ ☀ ☀
- Mode 3 ☀ ☀ ☀ ☀



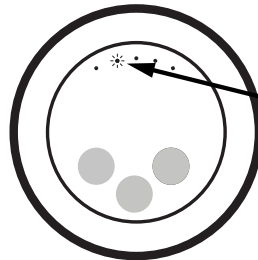
Press the sun button x1, sensor indicates light level and mode by flashing an indicator light

SWITCHING LIGHT LEVELS



Press the sun button in quick succession to cycle between LIGHT LEVELS

LOW BATTERY ALERT

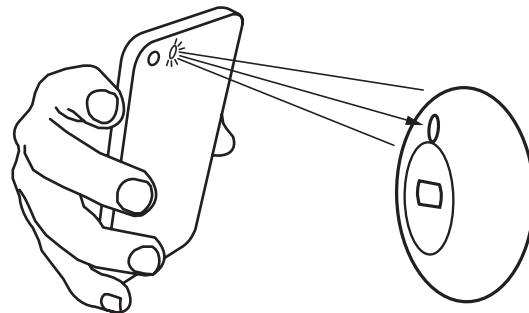


When the battery level is low the indicator light will flash x10 every 2mins.

TESTING APPLIED SETTINGS

Note:

In case of light conditions not being sufficient to trigger the Sun Sensor (cloudy day), test applied settings by lighting a torch light directly at the light sensor at the back of the Sun Sensor for at least 2 mins.



CONFORMITY DECLARATION

Decorquip Ltd. hereby declare that the Dream Range products are in conformity with the essential requirements of the applicable European Directives and, in particular, the Electromagnetic Compatibility Directive **2014/30/EU**, Machinery Directive **2006/42/EC** and Radio Directive **2014/53/EU**.

DISPOSAL INSTRUCTIONS

Damaged/unused electrical products and batteries are not to be disposed with regular household waste. Dispose of these motors in compliance with authorities waste regulations. Alternatively, return your motors to Decorquip Ltd.